

TELESCOPIC model

Especially suitable for small spaces where achieving the widest opening possible is essential. The system follows the same modular concept as the other models—an essential characteristic of ERREKA systems—and its design and easy assembly help it to stand out from other products on the market. As is the case with other ERREKA operators, its versatility allows a single operator to be adapted for two or four leaves, different passage widths, or the swing direction for two-leaf systems to be selected with a simple modification during installation.

SECURITY AND RELIABILITY

The Telescopic System operator consists of a Global System operator and a set of specific profiles required to obtain the telescopic system. It therefore possesses the same technical specifications, security systems and certificates as the Global System operator.

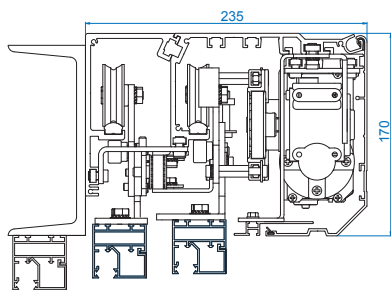
The system is certified according to the most demanding safety regulations and standards, including EN 60335-2-103, 73/23/EC, 2004/18/EC and 2006/42/EC.

POWER: WHAT MAKES THE DIFFERENCE

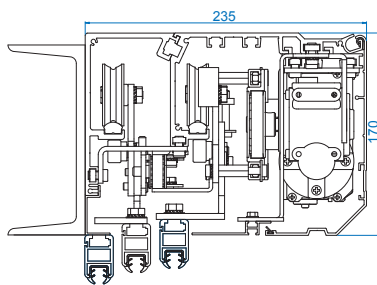
This type of door is where opening speed is of the utmost importance. The Telescopic System operator has a powerful DC motor—the largest in its category—which allows it to reach speeds of up to 1 m/s when opening, thus setting it apart from the other systems on the market.

FEATURES AND ADVANTAGES

- Modular system.
- Quick installation of the operator in the motorisation profile box by means of a special nut system.
- Split-speed system consisting of a double pulley with a toothed neoprene belt.
- Independent roller tracks made of hard-wearing aluminium alloy, fixed with adhesive foam tape to absorb carrier vibrations when moved, which results in silent movement.
- All peripherals are protected against power surges and short circuits by resettable fuses.
- Battery-powered panic-breakout opening system in the event of power failure.
- Motor power control system with automatic reverse for user safety.
- Possibility to install a double door with an airlock system.



Compact profile



Slimline profile

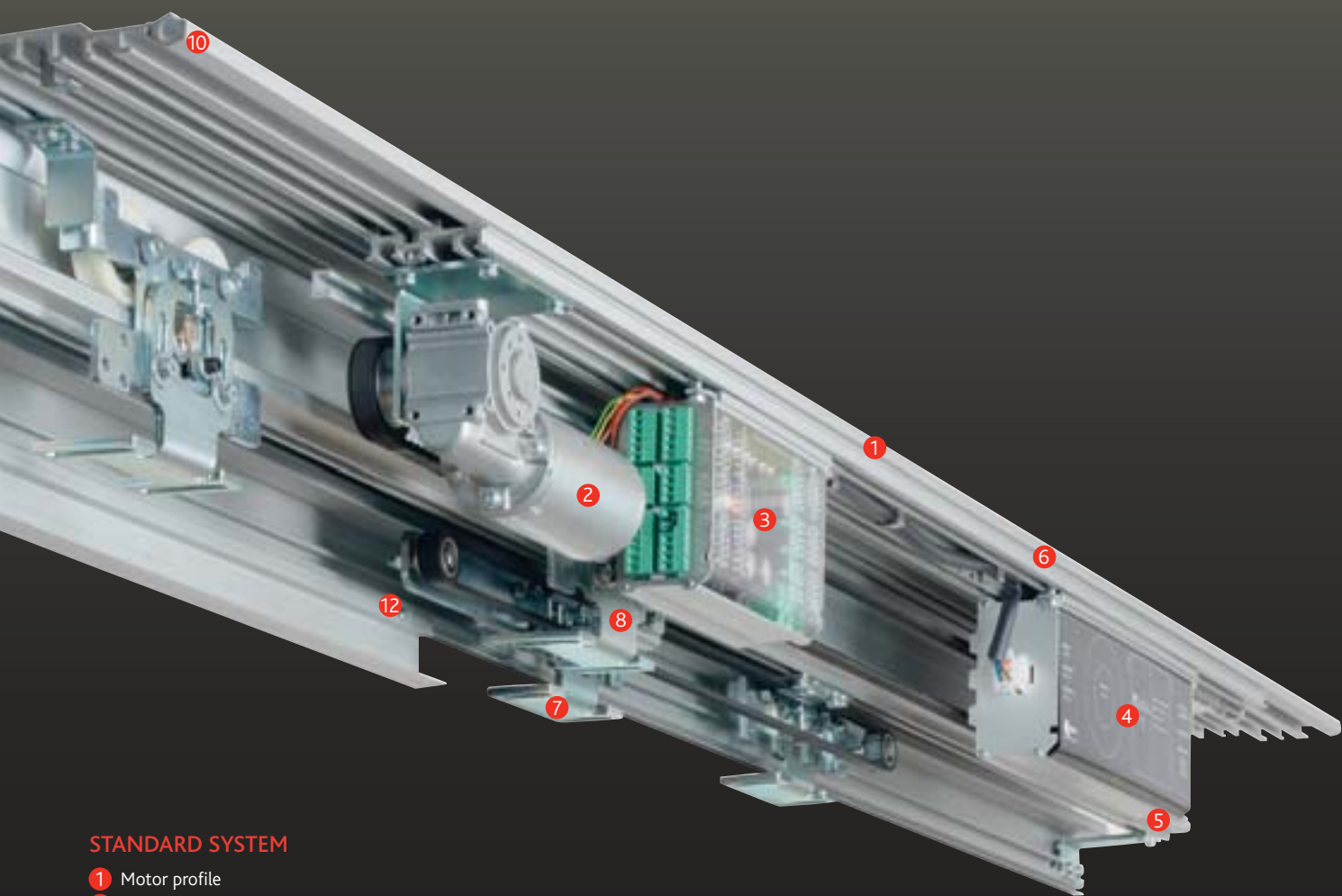
TECHNICAL SPECIFICATIONS

	1450 OPERATOR	1850 OPERATOR	3200 OPERATOR
Free passage (4 leaves)	1800 - 2400	1800 - 3200	3200 - 3800
Free passage (2 leaves)	900 - 1200	1150 - 1600	1600 - 3000
Maximum weight per leaf (4 leaves)	60 Kg.	60 Kg.	60 Kg.
Maximum weight per leaf (2 leaves)	100 Kg.	100 Kg.	100 Kg.
Opening speed	0,4 - 0,9 m/s	0,4 - 0,9 m/s	0,4 - 0,9 m/s
Closing speed	0,2 - 0,5 m/s	0,2 - 0,5 m/s	0,2 - 0,5 m/s
Maximum locking strength	150 N	150 N	150 N
Power supply	220 v (50 hz)	220 v (50 hz)	220 v (50 hz)
Consumption	200 w	200 w	200 w
Operator measurements	170 x 235	170 x 235	170 x 235

DOOR FRAME TYPES AVAILABLE

COMPACT	SLIMLINE	CLIP
---------	----------	------





STANDARD SYSTEM

- 1 Motor profile
- 2 Geared motor
- 3 Electronic panel
- 4 Power supply and battery
- 5 Tensor subset
- 6 Toothed endless belt
- 7 Inner carrier
- 8 External carrier
- 9 Inner motorisation profile box
- 10 External motorisation profile box
- 11 Roller track
- 12 Split-speed system

We open doors for you

